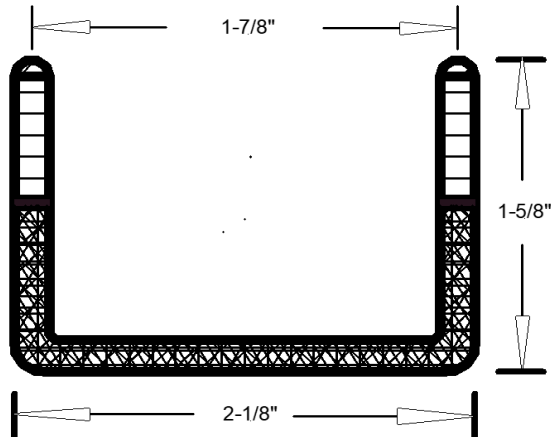


# LANE TECH SHEET

## Uni-Strut Clips



### INSTALLATION INSTRUCTIONS:

- \* Drill two 1/4" dia. holes in the wall of the form, 1-7/8" on center about every 3 feet
- \* Snap the clips over the Uni-Strut and pound directly into the 1/4" holes
- \* Once the vault is lifted from the form, simply punch the break-away portions through the form with a hole punch

Drawing: 1  
Scale: None

Uni-Strut Clips  
Part # USC-15

**LANE** INTERNATIONAL  
CORPORATION

P.O. Box 925 \* Tualatin, OR 98062  
503-692-9860 \* [www.laneinternational.com](http://www.laneinternational.com)