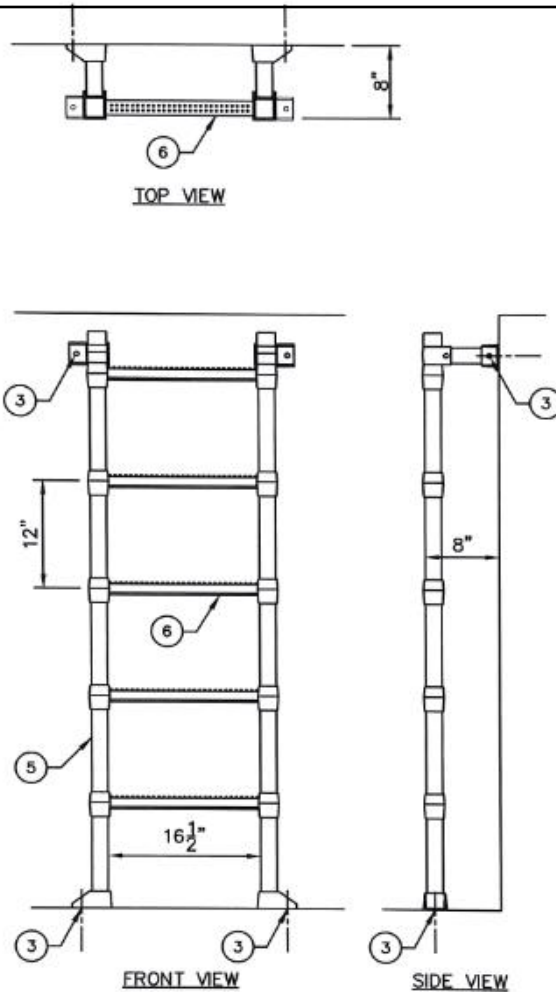


LANE TECH SHEET

Poly Vault Ladder



LANE POLYPROPYLENE VAULT LADDER

NOTES:

1. LADDERS AVAILABLE IN 2 RUNG THROUGH 19 RUNG.
2. POLYPROPYLENE CONFORMS TO ASTM D-4101. LADDERS MEET ALL ASTM C-497 LOAD REQUIREMENTS AND OSHA 1910.26 AND 1910.27 SPECIFICATIONS.
3. FASTEN LADDER TO FLOOR AND WALL WITH 1/2"x 3-3/4" ANCHORS. ANCHORS TO BE INSTALLED PER MANUFACTURERS INSTRUCTIONS.
4. STANDARD ADJUSTABLE MOUNTING BRACKET - 8" O.D.
5. ALUMINUM REINFORCED COPOLYMER POLYPROPYLENE RAIL 1-3/4"x 1-3/4" DIA.
6. STEEL REINFORCED COPOLYMER POLYPROPYLENE RUNG 1-5/8"x 1-1/4" DIA. WITH MOLDED FINGER GRIPS, 12" C.C.

LADDER MANUFACTURED BY LANE INTERNATIONAL CORPORATION
P.O. BOX 925, TUALATIN, OREGON 800-666-0076

Drawing: 1
Scale: None

Poly Vault Ladder
(no Handrail)

LANE INTERNATIONAL
CORPORATION

P.O. Box 925 * Tualatin, OR 98062
503-692-9860 * www.laneinternational.com